

**Ceiling unit**  
**Pure'line Compact 120 cm**  
**Stainless steel**

EAN 5414425152766



### Energy label

|  |      |
|--|------|
| ▪ Energy Efficiency class (EEIhood)              | B    |
| ▪ Annual Energy Consumption (kWh/year) (AEChood) | 67,4 |
| ▪ Fluid Dynamic Efficiency class (FDEhood)       | B    |
| ▪ Lighting Efficiency class (LEhood)             | C    |
| ▪ Grease Filtering Efficiency class (GFEhood)    | D    |

### Functions & features

|  |                               |
|--|-------------------------------|
| ▪ Control method                           | Push buttons + Remote control |
| ▪ Number of speeds                         | 3 + power                     |
| ▪ Automatic Power revert (minutes)         | 6                             |
| ▪ Motor                                    | Integrated                    |
| ▪ Sound absorber                           | Integrated                    |
| ▪ Recirculation                            | Optional                      |
| ▪ InTouch function                         | Standard                      |
| ▪ Auto stop                                | ▪                             |
| ▪ Delayed switch off (minutes)             | 10/30                         |
| ▪ Number of grease filters                 | 2                             |
| ▪ Grease filter                            | 6830020                       |
| ▪ Grease filter cleaning indication        | ▪                             |
| ▪ Recirculation filter cleaning indication | ▪                             |

### Dimensions

|   |                          |
|---|--------------------------|
| ▪ Product dimensions (WxDxH) (mm)                         | 1168 x 508 x 195         |
| ▪ Height incl. mounting clamps (without motorbox) (mm)    | 133                      |
| ▪ Width flange (mm)                                       | 15                       |
| ▪ Dimensions cut-out opening (WxD) (mm)                   | 1145 x 485               |
| ▪ Advised mounting height induction hobs (Hmin-Hmax) (mm) | 600 - 1600               |
| ▪ Advised mounting height gas hobs (Hmin-Hmax) (mm)       | 650 - 1600               |
| ▪ Advised mounting height ceramic hobs (Hmin-Hmax) (mm)   | 600 - 1600               |
| ▪ Diameter outlet (mm)                                    | 222x89                   |
| ▪ Position exhaust  | Right, Left, Front, Back |

### Lighting

|   |           |
|---|-----------|
| ▪ Functional lighting type                      | Led       |
| ▪ Dimmable light                                | ▪         |
| ▪ Soft-ON/OFF                                   | ▪         |
| ▪ Total energy consumption functional light (W) | 12        |
| ▪ Color functional light                        | 2700/4000 |

### Airflow and noise level

- Airflow (m<sup>3</sup>/h) measured according to EN 61591
- Sound regulation according to DIN 45635-2

## Airflow and noise level

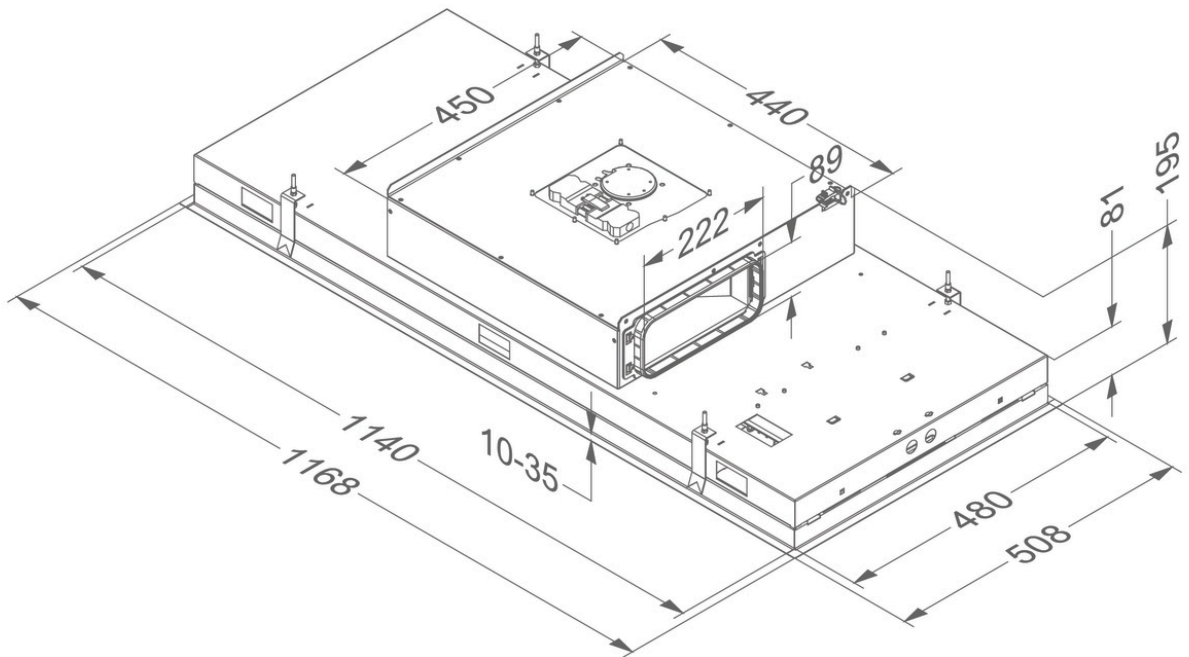
---

|   |           |
|---|-----------|
| ▪ Airflow speed 1 (m <sup>3</sup> /h) / Max Pressure speed 1 (Pa)       | 240 / 40  |
| ▪ Airflow speed 2 (m <sup>3</sup> /h) / Max Pressure speed 2 (Pa)       | 444 / 140 |
| ▪ Airflow speed 3 (m <sup>3</sup> /h) / Max Pressure speed 3 (Pa)       | 582 / 265 |
| ▪ Airflow Powerspeed (m <sup>3</sup> /h) / Max Pressure Powerspeed (Pa) | 651 / 484 |
| ▪ Sound pressure speed 1 (dB(A)) / Sound power speed 1 (dB(A))          | 27 / 38   |
| ▪ Sound pressure speed 2 (dB(A)) / Sound power speed 2 (dB(A))          | 40 / 52   |
| ▪ Sound pressure speed 3 (dB(A)) / Sound power speed 3 (dB(A))          | 47 / 59   |
| ▪ Sound pressure Powerspeed (dB(A)) / Sound Powerspeed (dB(A))          | 51 / 63   |

## Technical specifications

---

|   |         |
|---|---------|
| ▪ Maximum power                               | 171     |
| ▪ Voltage (V)                                 | 220-230 |
| ▪ Frequency (Hz)                              | 50      |
| ▪ Length power supply cord (m)                | 1,2     |
| ▪ Power consumption in stand-by-mode (Ps) (W) | 0.25    |
| ▪ Net weight (kg)                             | 24      |



**Accessories**

---

**Recirculation box**

841400

recirculation box with monoblock white (270x500mm)



842400

recirculation box with monoblock black (270x500mm)



843400

recirculation box with monoblock grey (270x500mm)

**Control kit**

990030

Control kit for external lighting or valve

Efficiency Curve

